

JACOBSEN®

PARTS CATALOG

Greens King™ 500 Series Mower

Greens King 518 **Product No. 62262**
Serial No. 1729 and Up

Greens King 522 **Product No. 62261**
Serial No. 1651 and Up

Greens King 522T **Product No. 62270**
Serial No. 1601 and Up

Greens King 526 **Product No. 62263**
Serial No. 1786 and Up

Greens King 526 **Product No. 62264**
Serial No. 1804 and Up



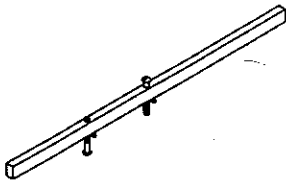
WARNING: *If incorrectly used this machine can cause severe injury. Those who use and maintain this machine should be trained in its proper use, warned of its dangers and should read the entire manual before attempting to set up, operate, adjust or service the machine.*

TO ORDER PARTS

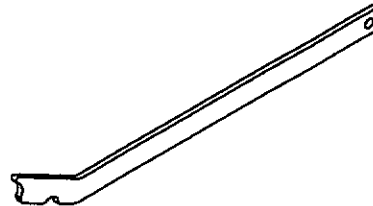
1. Write your **full name** and **complete** address on the order.
2. Explain where and how to make shipment.
3. Give product number, name and serial number that is stamped on the name plate or serial plate of your product.
4. Order by the quantity desired, the part number, and description of the part as given in the parts list.
5. Send or bring the order to an Authorized Jacobsen Distributor.
6. Inspect all shipments on receipt. If any parts are damaged or missing, file a claim with the carrier before accepting
7. Do not return material without a letter of explanation, listing the parts being returned. Transportation charges must be prepaid.

Use of other than Jacobsen parts or Jacobsen authorized parts will void the warranty.

SPECIAL TOOLS



**Height of Cut
Gauge
158568**



**Belt Tension
Bar
3004391**

CONTENTS

Reels, Cross Bars, Bedknives and Kickstand.....	3	522T Engine and Clutch	11
Handle.....	5	Lower Unit.....	13
T- Handle.....	7	Belts and Covers	15
Engine and Clutch	9	Differential, Rollers and Wheels.....	17

ILLUSTRATION 1

REELS, CROSS BARS, BEDKNIVES AND KICKSTAND

Product Description	Reel Part No.	Kickstand Part No.	Rear Crossbar	Front Crossbar	Bedknife		
					Backing	Description	Part No.
518 - 11 Blade 18" Reel	5000095	1000018	1000020	1000022	5000102	Low Profile	5000098
						Tournament	5001056
522 - 11 Blade 22" Reel 522T - 11 Blade 22" Reel	5000148	132674	1000838	1000839	5000457	Low Profile	503478
						High Profile	503477
						Tournament	5000927
526 - 11 Blade 26" Reel	5000416	1000019	1000021	1000023	5000412	Low Profile	5000413
						High Profile	5000414
526 - 7 Blade 26" Reel	5000417					Heavy Section	5000141

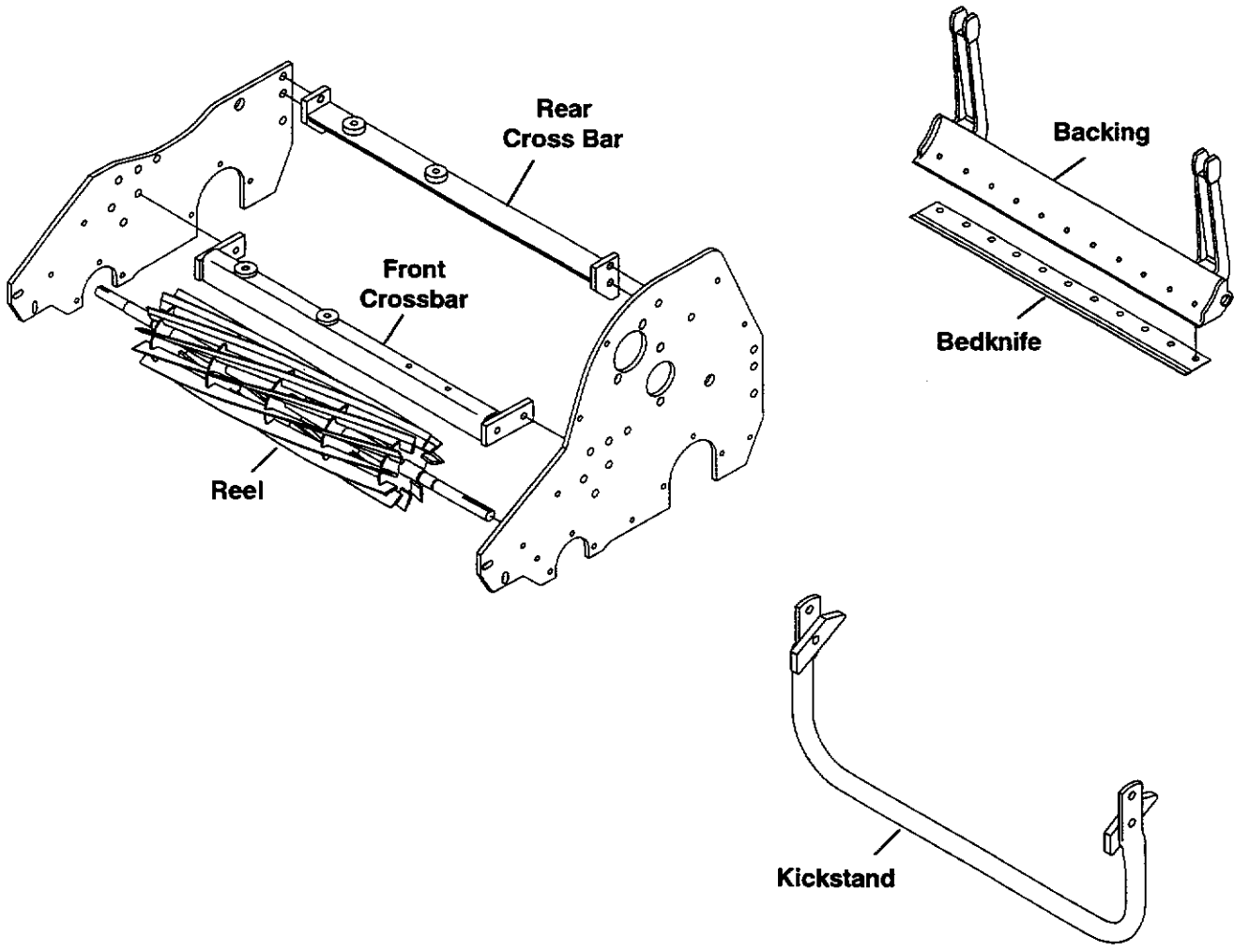


ILLUSTRATION 2

Item	Part No.	Qty	Description	Item	Part No.	Qty	Description
1 ■	1001273	1	Handle	28	400268	1	Screw, 3/8-16 x 1-3/4" Hex Head
1 ●	1001266	1	Handle	29	444708	2	Locknut, 1/4-20 Center
1 ▲	1001275	1	Handle	30	443110	4	Nut, 3/8-16 Hex
2	1001250	1	Handle Loop	31	460026	2	Cotter Pin, 1/8 x 3/4"
3	3002047	2	Bracket	32	1001292	2	Bracket
4	434029	2	Screw, 1/4-20 x 1" Socket Head	33	3002078	1	Throttle Stop
5	366708	2	Flange Bearing	34	366768	2	Throttle Knob
6	1001977	1	Pivot Assembly	35	404014	5	Screw, 1/4-20 x 1/2" Round Head
7	1000634	1	Brake Handle	36	363962	1	Toggle Boot
8	3002480	1	Tension Spring	37	1001303	1	Top Cover (Includes 39 ~ 42, 54 & 55)
9	3002001	1	Brake Knob	38	3002722	1	Bottom Cover
10	366741	2	Brake Cable	39	3001516	1	Decal, Jacobsen
11	366743	1	Throttle Control	40	3002754	1	Decal, Ignition Switch
12	446148	3	Lockwasher, 7/16	41	3002755	1	Decal, Throttle
13	454008	2	Spring Washer	42	366769	1	Decal, Professional
14	3002477	1	Clutch Cable	43	453011	2	Flat Washer, 3/8
15	2000067	1	Brake Clutch Lever	44	400262	2	Screw, 3/8-16 x 1" Hex Head
16	461181	1	Groove Pin, 3/16 x 3/4"	45	365660	2	Grommet
17	446142	4	Lockwasher, 3/8 Heavy	46	340478	2	Handle Stop
18	434023	2	Screw, 1/4-20 x 1-1/4" Socket Head	47	366926	1	Spring
19	3002179	1	Handle Loop	48	366745	2	Bolt
20	1001007	1	Latch	49	447224	2	Lockwasher, 5/8 Internal Tooth
21	3004259	1	Channel-Loop	50	443828	2	Nut, 5/8-18
22	400108	4	Screw, 1/4-20 x 3/4" Hex Head	51	460014	1	Cotter Pin, 3/32 x 3/4"
23	446130	8	Lockwasher, 1/4 Heavy	52	461462	1	Clevis Pin, 3/8 x 1-1/16"
24	443102	2	Nut, 1/4-20 Hex	53	453013	1	Flat Washer, 7/16
25	363275	1	Switch, On/Off	54	3002753	1	Decal, Parking Brake
26	1001367	1	Wire Harness	55	3002756	1	Decal, Bale Handle Clutch
27	3002334	1	Rod	56	473137	3	Tie Wrap

■ Used On 518 Only

● Used On 522 Only

▲ Used On 526 Only

ILLUSTRATION 2

HANDLE
USED ON 518, 522 AND 526 ONLY

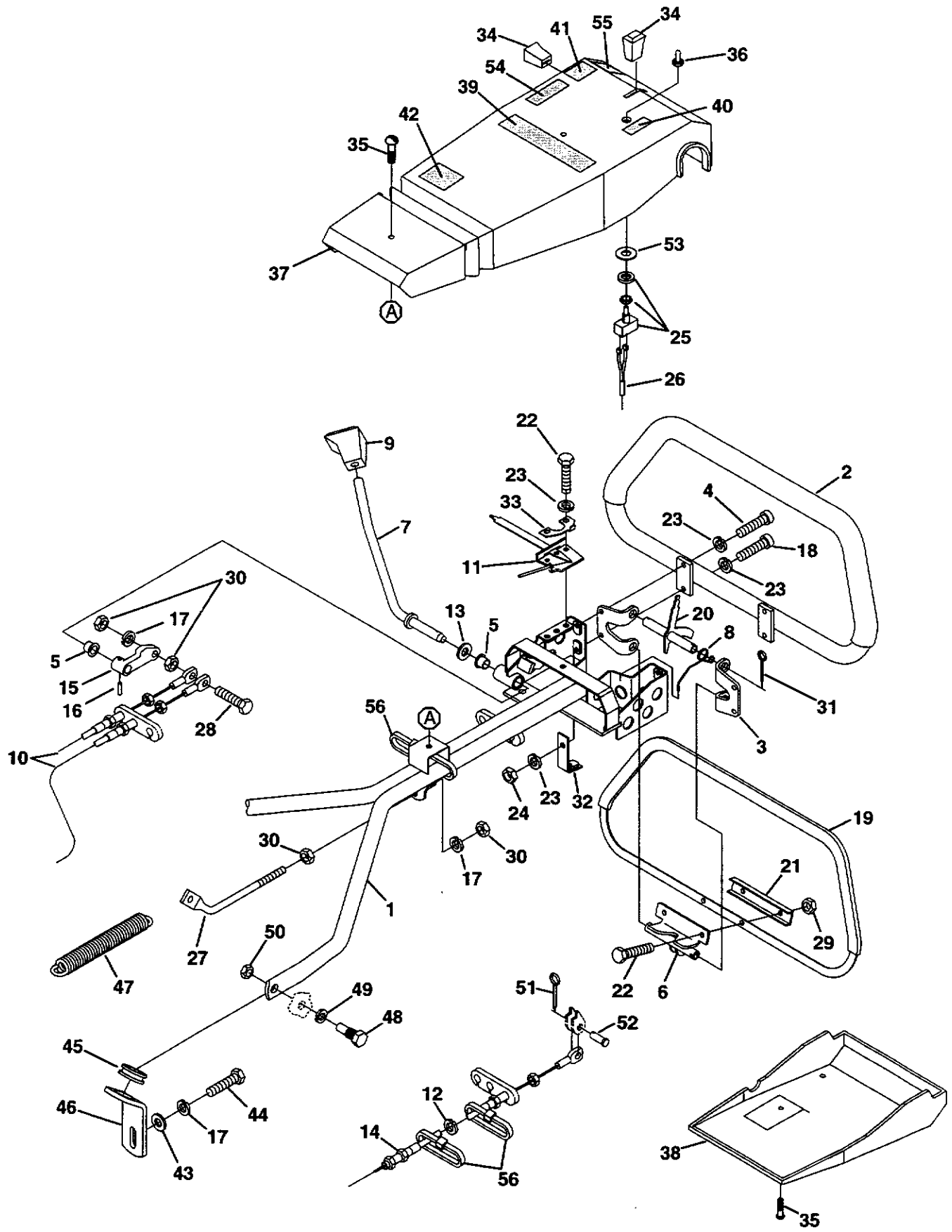


ILLUSTRATION 2A

Item	Part No.	Qty.	Description	Item	Part No.	Qty.	Description
1	3007094	1	Round Grip	21	2000067	2	Brake Lever
2	366768	2	Throttle Knob	22	3006857	2	Brake Cable
3	473137	2	Wire Tie	23	461181	3	Groove Pin, 3/16 x 3/4"
4	1003300	1	Brake Handle	24	3006856	1	Clutch Cable
5	1001860	1	Latch	25	3004399	1	Pivot Shaft
6	1003019	1	Control Handle	26	461466	1	Clevis Pin, 3/8 x 2-1/8"
7	3006858	1	Throttle Control	27	461468	1	Clevis Pin, 3/8 x 1-1/2"
8	3002078	1	Throttle Stop	28	3002753	1	Decal, Parking Brake
9	400108	2	Screw, 1/4-20 x 3/4" Hex Head	29	3002755	1	Decal, Throttle
10	446130	2	Lockwasher, 1/4 Heavy	30	3004609	1	Cable Cover
11	443102	4	Nut, 1/4-20 Hex	31	409951	3	Screw, #8-32 x 3/8" Truss Head
12	3003676	2	Flanged Bearing	32	400112	1	Screw, 1/4-20 x 1" Hex Head
13	454008	1	Spring Washer	33	365660	2	Grommet
14	3003992	1	Spring Return	34	3006521	2	Handle Stop
15	1003229	1	Handle	35	400262	2	Screw, 3/8-16 x 1" Hex Head
16	3004971	1	Decal, Clutch	36	446142	2	Lockwasher, 3/8 Heavy
17	461457	1	Pivot Pin	37	453011	2	Flat Washer, 3/8
18	460014	3	Cotter Pin, 3/32 x 3/4"	38	366745	2	Bolt
19	400266	2	Screw, 3/8-16 x 1-1/2" Hex Head	39	447224	2	Lockwasher, 5/8 Internal Tooth
20	443110	4	Nut, 3/8-16 Hex	40	443828	2	Nut, 5/8-18 Hex

ILLUSTRATION 2A

T-HANDLE
USED ON 522T ONLY

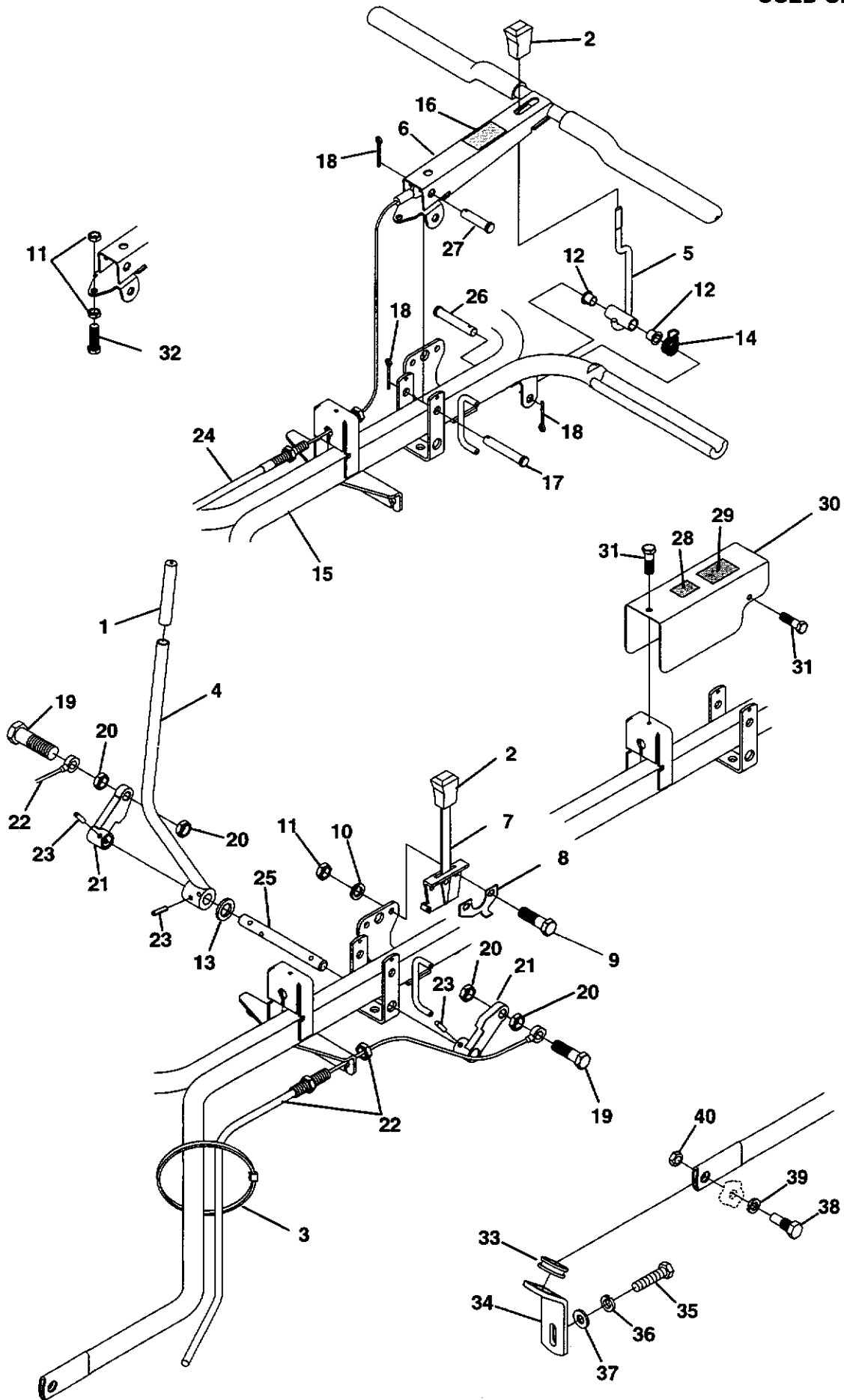


ILLUSTRATION 3

Item	Part No.	Qty.	Description	Item	Part No.	Qty.	Description
1	503532	1	Engine, 4 HP Honda	35 ▲	1001283	1	Clutch Cover (S.P. Not Shown)
1A	320774	1	Key, 3/16 Square x 1-1/2"	35A	366802	1	Hinge
2	443102	1	Nut, 1/4-20 Hex	35B	464841	3	Rivet, 3/16" Diameter
3	400112	1	Screw, 1/4-20 x 1" Hex Head	35C		1	Decal, Jacobsen
4	443112	1	Nut, 3/8-24 Hex	■ ●	366773		
5	364441	2	Flat Washer	▲	3001516		
6	362764	1	Decal, Caution	35D	1001280	1	Angle Bracket
7	3001790	1	Decal, Caution	35E	464842	2	Rivet, 1/8" Diameter
8	5000408	1	Engine Base (Includes 9 and 10)	36	453009	9	Flat Washer, 5/16
9	3001235	1	Decal, Danger	37	367672	1	Clutch Fingers
10	365511	1	Decal, Caution	38	132930	1	Clutch Arm Assembly
11	441677	4	Carriage Bolt, 5/16-18 x 1-1/2"	39	3000914	1	Bolt, Special
12	446136	15	Lockwasher, 5/16	40	366742	1	Clutch Pin
13	443106	4	Nut, 5/16-18 Hex	41	400104	3	Screw, 1/4-20 x 1/2" Hex Head
14	132898	1	Clutch Body (Includes 14A ~ 14C)	42 ■	1000014	1	Clutch Shaft
14A	340807	1	Needle Bearing	42 ●	1000842	1	Clutch Shaft
14B	410503	1	Set Screw, 5/16-18 x 7/8" Square Head	42 ▲	1000015	1	Clutch Shaft
14C	445502	1	Nut, 5/16-18 Type R Hex Pal	43	2000004	1	Sliding Disc
15	443108	2	Nut, 5/16-24 Hex	44	367365	1	Bearing
16	3002711	1	Plate	45	366689	1	Washer
17	555795	1	Split Clutch Disc	46	463113	1	Key
18	307456	1	Washer, Cup	47	366686	1	Wear Sleeve
19	2000063	1	Clutch Housing	48	458113	2	Retaining Ring
20	352726	2	Bushing	49	366685	1	Grease Seal
21	473137	6	Cable Ties	50	471223	1	Grease Fitting
22	460052	1	Cotter Pin, 3/16 x 1-1/2"	51	241831	1	Housing
23	1001288	1	Wire Harness	52	366684	1	Bearing
24	409515	2	Screw, #6 x 5/16 Round Head Drive	53	366648	1	Grease Seal
25	400254	2	Screw, 3/8-16 x 1/2" Hex Head	54	367082	1	Key, 3/16 Square x 3/4"
26	446130	3	Lockwasher, 1/4 Heavy	55	3000901	1	Pulley, 18 Tooth
27	343117	6	Washer	56	366653	1	Spacer
28	3001517	1	Lift Hook	57	446142	3	Lockwasher, 3/8
29	400108	1	Screw, 1/4-20 x 3/4" Hex Head	58	400262	1	Screw, 3/8-16 x 1" Hex Head
30	3000966	1	Spring	59	400188	10	Screw, 5/16-18 x 1" Hex Head
31	366800	1	Clutch Spring	60 ■	3002961	1	Decal, Greens King 518
32	366799	1	Clutch Spring	60 ●	3002962	1	Decal, Greens King 522
33	453023	1	Flat Washer, 1/4	60 ◆	3002963	1	Decal, Greens King 526
34	400228	5	Screw, 5/16-14 x 1-1/4" Hex Head	60 *	3002964	1	Decal, Tee/Collar 526
35 ■	1001282	1	Clutch Cover (S.P. Not Shown)	61	453011	4	Flat Washer, 3/8
35 ●	1001281	1	Clutch Cover (S.P. Not Shown)				

- Used On 518 Only
- Used On 522 Only
- ▲ Used On 526 Only
- ◆ Used On 526 with 11 Blade Reel Only
- * Used On 526 with 7 Blade Reel Only

ILLUSTRATION 3

ENGINE AND CLUTCH
USED ON 518, 522 AND 526 ONLY

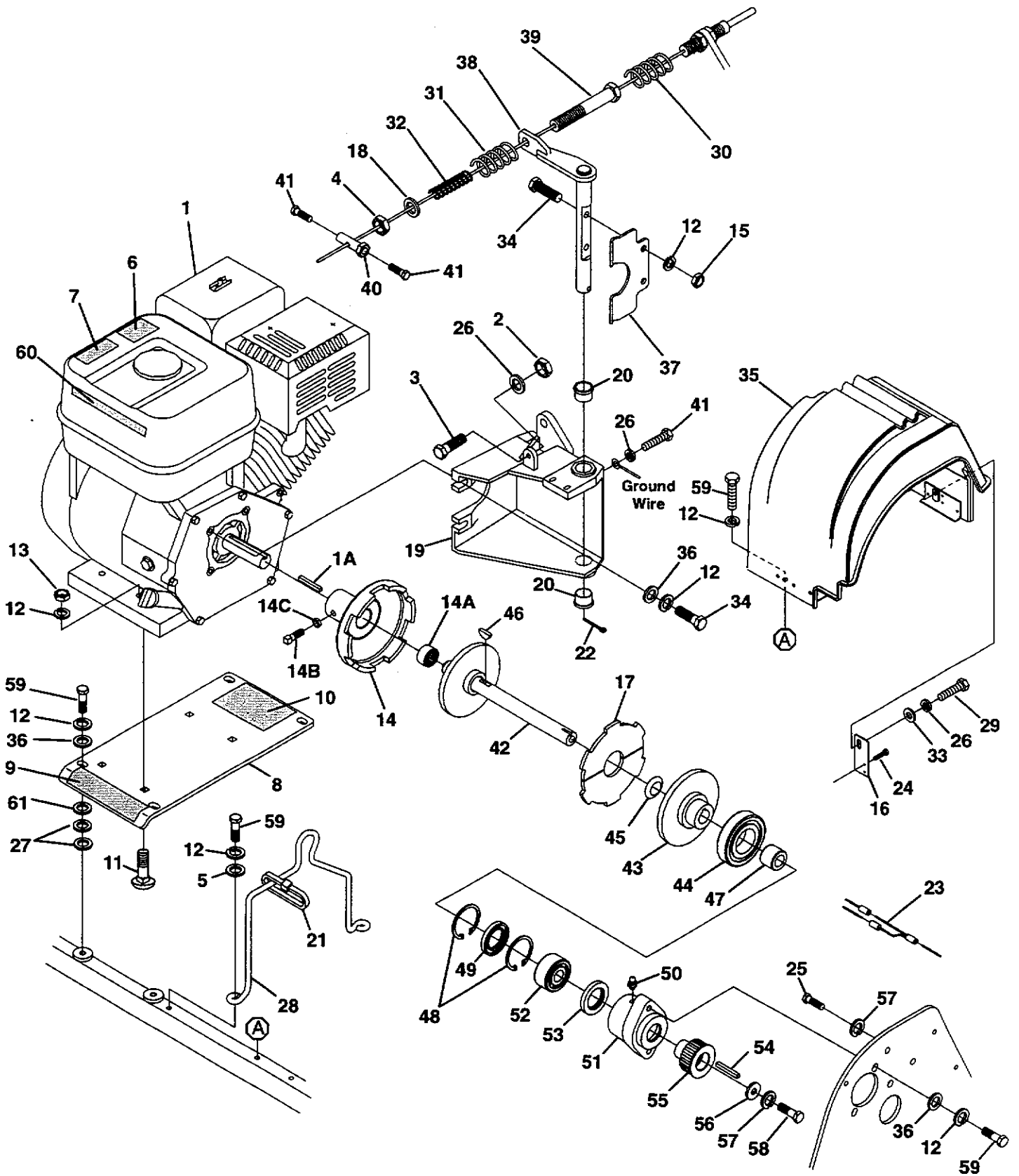


ILLUSTRATION 3A

Item	Part No.	Qty.	Description	Item	Part No.	Qty.	Description
1	503532	1	Engine, 4HP Honda	30	453009	11	Flat Washer, 5/16
2	362724	1	Decal, Caution	31	446130	1	Lockwasher, 5/16 Heavy
3	3001790	1	Decal, Caution	32	366742	1	Clutch Pin
4	3006895	1	Decal, Greens King 522T	33	400104	5	Screw, 1/4-20 x 1/2" Hex Head
5	320774	1	Key, 3/16 Square x 1-1/2"	34	3004616	1	Clutch Mounting Stud
6	132898	1	Clutch Body	35	1003016	1	Clutch Cover
6A	445502	1	Nut, 5/16-18 Type R Hex Pal	36	444708	3	Locknut, 1/4-20 Center
6B	410503	1	Set Screw, 5/16-18 x 7/8" Square Head	37	361854	1	Decal, Caution
6C	340807	1	Needle Bearing	38	3006118	1	Lift Hook
7	5002848	1	Engine Base (Includes 8 and 9)	39	364441	2	Spacer
8	3001235	1	Decal, Danger	40	441677	4	Carriage Bolt, 5/16-18 x 1-1/2"
9	340830	1	Decal, Spanish	41	444718	2	Locknut, 5/16-18 Center
10	453011	4	Flat Washer, 3/8	42	443106	4	Nut, 5/16-18 Hex
11	343117	AR	Washer	43	2000004	1	Sliding Disc
12	400188	8	Screw, 5/16-18 x 1" Hex Head	44	367365	1	Bearing
13	555795	1	Split Clutch Disc	45	366689	1	Washer
14	446136	17	Lockwasher, 5/16 Heavy	46	463113	1	Key
15	443108	4	Nut, 5/16-24 Hex	47	366686	1	Wear Sleeve
16	460052	1	Cotter Pin, 3/16 x 1-1/2"	48	458113	2	Retaining Ring
17	366800	1	Clutch Spring	49	366685	1	Grease Seal
18	366799	1	Clutch Spring	50	471223	1	Grease Fitting
19	400288	3	Screw, 5/16-24 x 1-1/4" Hex Head	51	241831	1	Housing
20	3005380	1	Clutch Fingers	52	366684	1	Bearing
21	132930	1	Clutch Arm	53	366648	1	Grease Seal
22	3000914	1	Bolt	54	367082	1	Key, 3/16 Square x 3/4"
23	3004610	1	Spring	55	3000901	1	Pulley, 18 Tooth
24	307456	1	Cup Washer	56	366653	1	Spacer
25	443112	1	Nut, 3/8-24 Hex	57	446142	3	Lockwasher, 3/8
26	2000063	1	Clutch Housing	58	400262	1	Screw, 3/8-16 x 1" Hex Head
27	352726	2	Bushing	59	1000842	1	Clutch Shaft
28	400112	3	Screw, 1/4-20 x 1" Hex Head	60	400254	2	Screw, 3/8-16 x 1/2" Hex Head
29	443102	1	Nut, 1/4-20 Hex				

ILLUSTRATION 3A

522T ENGINE AND CLUTCH
USED ON 522T ONLY

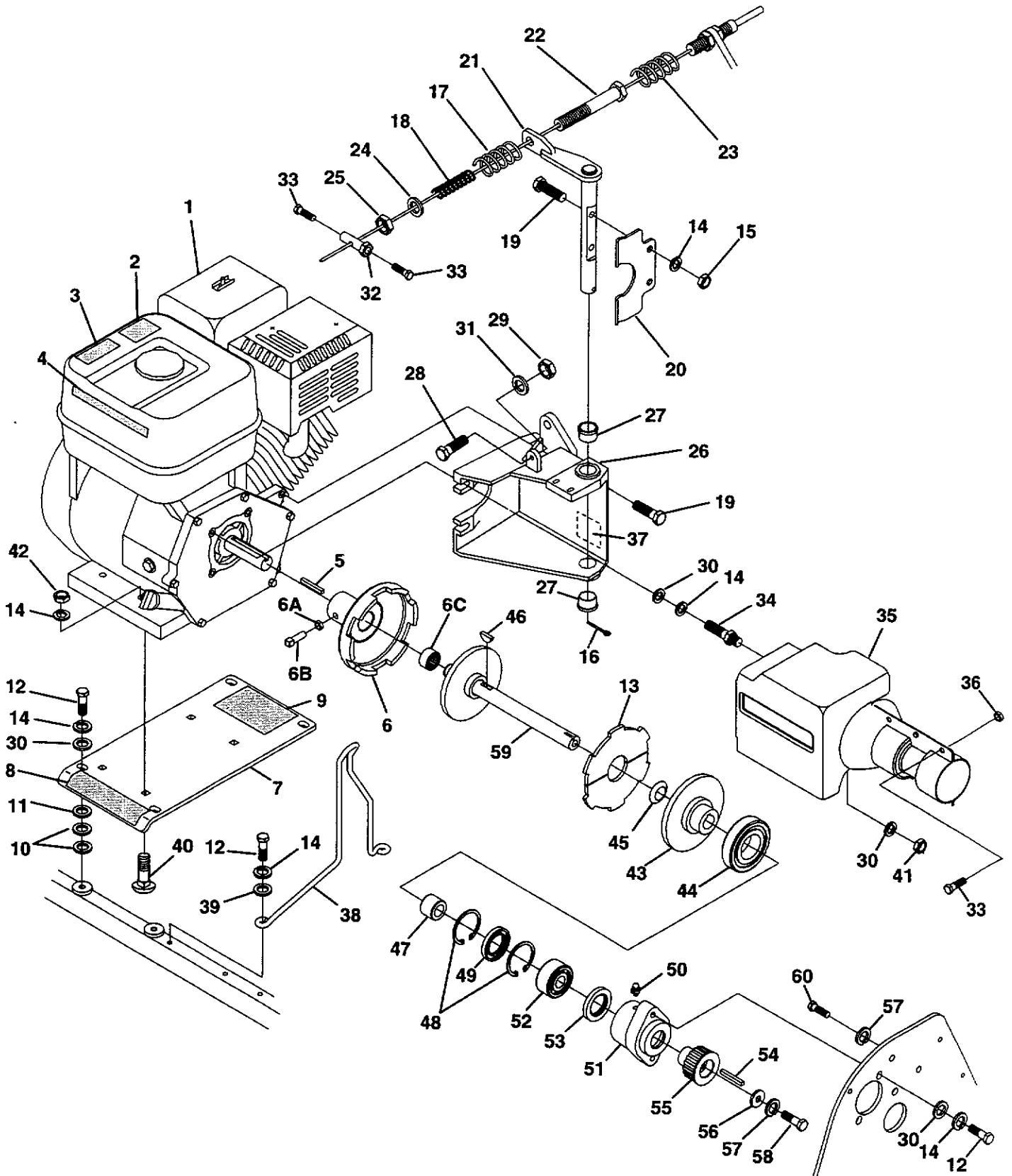


ILLUSTRATION 4

Item	Part No.	Qty.	Description	Item	Part No.	Qty.	Description
1	REF	1	Bedknife Backing (See Illustration 1)	30	340462	1	Spacer
2	REF	1	Rear Crossbar (See Illustration 1)	31	320774	2	Key, 3/16 Square x 1-1/4"
3	REF	1	Front Crossbar (See Illustration 1)	32	5002727	1	Reel Clutch
4	3001237	1	Frame, R.H. Side	33	366653	1	Washer
5	395365	1	Frame, L.H. Side	34	3001600	2	Bedknife Block
6	REF	1	Reel (See Illustration 1)	35	366651	1	Bolt
7	REF	1	Bedknife (See Illustration 1)	36	471217	1	Grease Fitting
8	446142	17	Lockwasher, 3/8 Heavy	37	1000446	1	Bearing Housing (Includes 37A ~ 37C)
9	446136	6	Lockwasher, 5/16 Heavy	37A	366650	1	Grease Seal
10	400258	12	Screw, 3/8-16 x 3/4" Hex Head	37B	366649	1	Grease Seal
11	400262	2	Screw, 3/8-16 x 1" Hex Head	37C	545940	1	Bushing
12	454017	2	Shim, Bedknife Shoe	38	443110	2	Nut, 3/8-16 Hex
13	434036	3	Screw, 5/16-18 x 1-1/4" Socket Head	39	367512	2	Spacer
14	164041	1	Seal Carrier (Includes Item 14A)	40	400264	2	Screw, 3/8-16 x 1-1/4" Hex Head
14A	366648	1	Grease Seal	41	366653	4	Spacer
15	367029	1	Nut, 3/4-16 Hex Nylock Jam	42	434037	3	Screw, 5/16-18 x 5/8" Socket Head
16	366727	2	Rod	43	366796	2	Kickstand Mounting Bracket
17	402578	AR	Screw, 1/4-20 x 1/2" Flat Head	44	400260	3	Screw, 3/8-16 x 7/8" Hex Head
18	365501	2	Bolt, Bedknife Shoe	45	400268	2	Screw, 3/8-16 x 1-3/4" Hex Head
19	434028	3	Screw, 1/4-20 x 3/4" Socket Head	46	443810	4	Nut, 3/8-16 Hex Jam
20	446130	5	Lockwasher, 1/4 Heavy	47	2000064	1	Cover
21	364900	1	Nut	48	400114	2	Screw, 1/4-20 x 1-1/4" Hex Head
22	363047	1	Spring	49	366726	4	Bolt, Special
23	500534	2	Bearing Cup and Cone	50	REF	1	Kickstand (See Illustration 1)
24	1000447	1	Bearing Housing (Includes 24A ~ 24C)	51	444850	3	Nut, 3/8-16 Center Lock Jam
24A	366650	1	Seal	52	364164	1	Spring
24B	471214	1	Grease Fitting	53	304745	1	Washer
24C	545940	1	Bushing	54	361064	1	Clamp
25	366709	2	Spring	55	3006896	1	Decal, Warning
26	366645	1	Spacer	56 ■	3001644	1	Weight
27	164042	1	Pulley (Includes 27A ~ 27C)	57 ■	400264	1	Screw, 3/8-16 x 1-1/4" Hex Head
27A	365229	1	Bearing With Seal	58	3004368	1	Spring Retainer
27B	366652	1	Bearing	59	3006061	1	Spring
27C	458461	1	Snap Ring	60	3004369	1	Spring Retainer
28	366646	1	Spacer	61	Ref	1	Serial Plate
29	345556	1	Key, 1/8 Square x 1"				

■ Used On 518 Only

ILLUSTRATION 4

LOWER UNIT

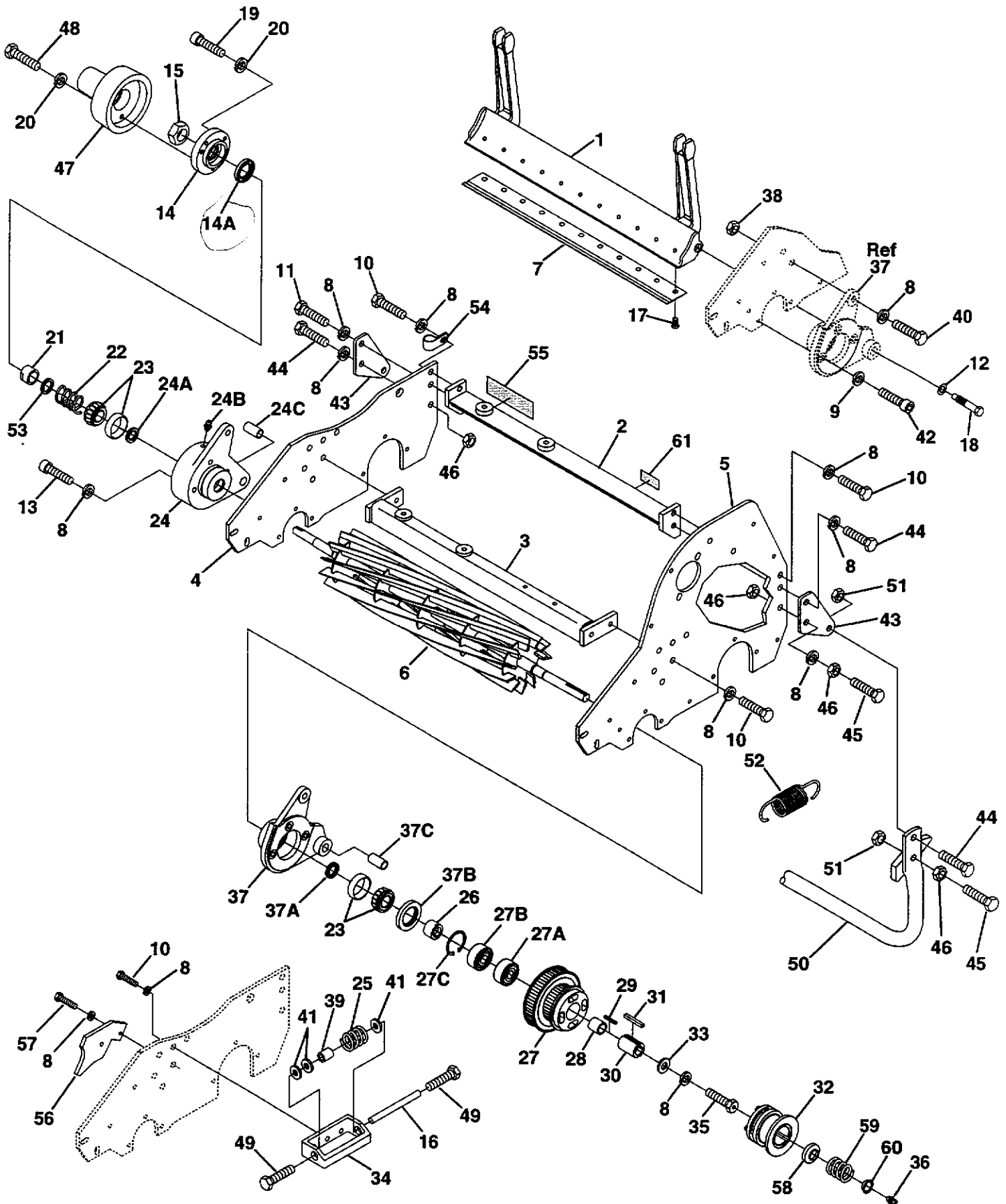


ILLUSTRATION 5

Item	Part No.	Qty.	Description	Item	Part No.	Qty.	Description
1	◆	1	Belt Cover	28	343848	2	Spring
1A	3001793	1	Decal, Warning	29	339910	2	"O" Ring
1B	3001792	1	Decal, Reel Clutch	30	3000660	1	Traction Clutch Lever
1C	340830	1	Decal, Caution (Not Used on 522T)	31	359864	AR	Washer
2	503685	1	Pulley, 80 Tooth (Includes Item 8)	32	367553	1	Needle Bearing
3	5001123	1	Belt, 90 Tooth	33	3001273	1	Shaft
4	5001124	1	Belt, 112 Tooth	34 ■	3000051	1	Grass Shield
5	366707	1	Ball Bearing	34 ●	3001699	1	Grass Shield
6	1000056	1	Traction CLutch	34 ▲	3000052	1	Grass Shield
7	366725	1	Flanged Bushing	35	441614	2	Carriage Bolt, 5/16-18 x 1"
8	367554	2	Needle Bearing	36	3000053	2	Plate
9	5002447	1	Pulley, 18 Tooth	37	445781	2	Nut, 5/16-18 Whiz Lock
10	1002012	1	Bearing Bracket	38	443106	2	Nut, 5/16-18 Hex
11	441624	2	Carriage Bolt, 3/8-16 x 1"	39	366852	2	Spacer
12	434031	1	Screw, 1/4-20 x 3/4" Socket Head	40	364441	2	Washer
13	446142	2	Lockwasher, 3/8 Heavy	41	2000072	2	Roller Bracket (Used on all)
14	443110	2	Nut, 3/8-16 Hex	41 *	2000040	2	Roller Bracket
15	443102	7	Nut, 1/4-20 Hex	42	343616	2	Stud
16	446130	12	Lockwasher, 1/4 Heavy	43	3005692	2	Adjuster Knob
17	5002403	1	Belt, 80 Tooth	44	3004402	1	Shifter Shaft
18	400112	6	Screw, 1/4-20 x 1-1/4" Hex Head	45	352737	2	Screw, 1/4-20 x 7/8" Square Head
19	453023	2	Flat Washer, 1/4	46	441674	2	Carriage Bolt, 5/16-18 x 1-3/4"
20	400106	5	Screw, 1/4-20 x 5/8" Hex Head	47	241827	1	L.H. Catcher Mounting Bracket
21	220317	1	Shifter Housing	48	241828	1	R.H. Catcher Mounting Bracket
22	366715	2	Spacer	49	441677	2	Carriage Bolt, 5/16-18 x 1-1/4"
23	446136	6	Lockwasher, 5/16 Heavy	50	444718	2	Locknut, 5/16-18 Center
24	400196	2	Screw, 5/16-18 x 2" Hex Head	51	400190	2	Screw, 5/16-18 x 1-1/4" Hex Head
25	366710	1	Cover	52	345666	1	Clamp
26	422522	4	Set Screw, 3/8-16 x 1/2" Socket Head	53	400108	1	Screw, 1/4-20 x 1" Hex Head
27	343850	4	Ball, 1/4" Diameter	54	461339	2	Pin, 1/4 x 1-1/4"

■ Used On 518 Only

● Used On 522 and 522T Only

▲ Used On 526 Only

* Used On 526 with 7 Blade Reel Only

◆ For Service Use 503638 on models 518, 522 and 526 (Includes 1A ~ 1C)
For Service Use 5004829 on model 522T (Includes 1A and 1B)

ILLUSTRATION 5

BELTS AND COVERS

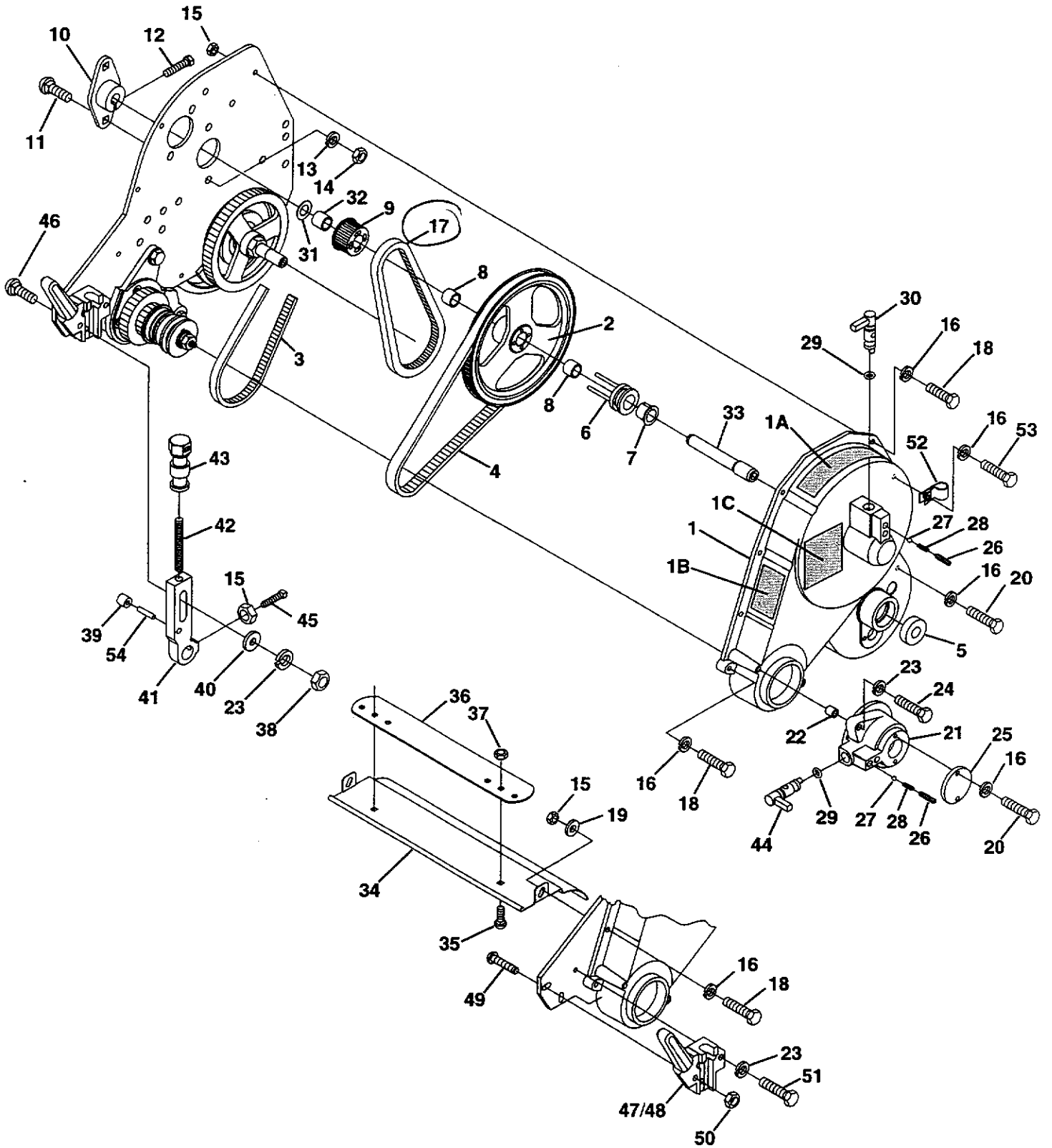


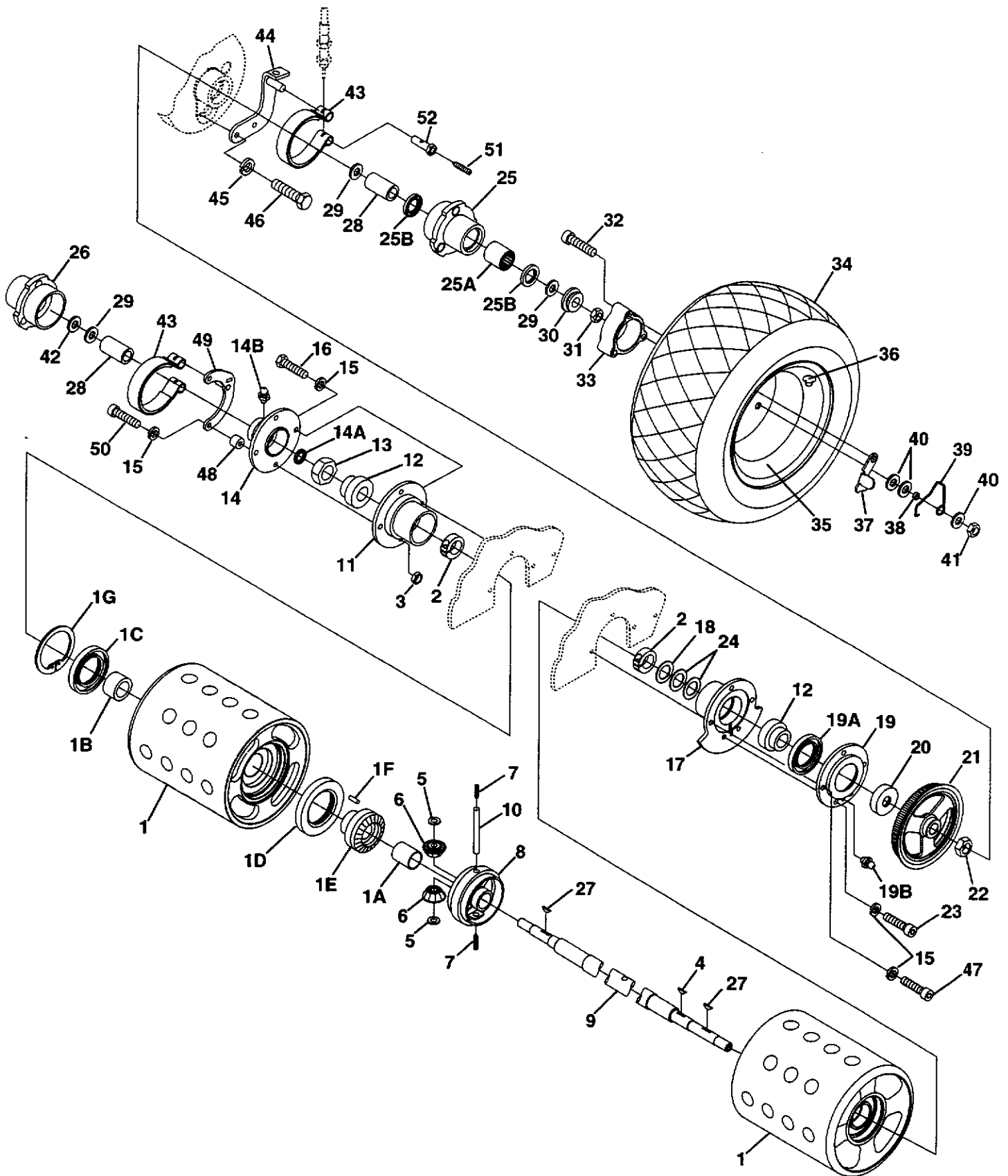
ILLUSTRATION 6

Item	Part No.	Qty.	Description	Item	Part No.	Qty.	Description
1 ■	1000024	2	Smooth Roller (Includes 1A ~ 1G)	21	3004484	1	Pulley, 56 Tooth
1 ●	132655	2	Smooth Roller (Includes 1A ~ 1G)	22	367029	1	Nut, 3/4-16 Hex Nylock Jam
1 ▲	1000027	2	Dimpled Roller (Includes 1A ~ 1G)	23	434024	2	Screw, 5/16-18 x 3/4" Socket Head
1A	366699	1	Differential Gear Bushing	24	361451	2	Washer
1B	366698	1	Drum Bushing	25	1000477	1	L.H. Hub (Includes 25A and 25B)
1C	366701	1	Grease Seal	25A	338766	1	Bearing
1D	366700	1	Grease Seal	25B	366705	2	Grease Seal
1E	241836	1	Differential Gear	26	1000476	1	R.H. Hub (Includes 25A and 25B)
1F	319085	1	Pin	27	463007	2	Key, #7 Woodruff
1G	458127	1	Snap Ring	28	366717	1	Clutch Sleeve
2	366695	2	Locking Collar	29	366697	4	Bushing
3	443106	1	Nut, 5/16-18 Hex	30	366718	1	Latching Collar
4	463017	1	Key, #9 Woodruff	31	445791	1	Nut, 5/8-18 Hex Nylock Jam
5	308030	2	Thrust Washer	32	434035	6	Screw, 5/16-18 x 2" Socket Head
6	202947	2	Pinion Gear	33	271920	2	Wheel Spacer
7	415563	2	Set Screw, 7/16-20 x 3/8 Socket Head	34	554847	2	Tire
8	241835	1	Differential	35	554848	2	Wheel
9 ■	395419	1	Roller Shaft	36	360111	2	Valve
9 ●	395367	1	Roller Shaft	37	366719	2	Latch
9 ▲	395418	1	Roller Shaft	38	366716	6	Spacer
10	308028	1	Pinion Shaft	39	366704	2	Spring
11	220319	1	Bearing Housing	40	452004	6	Flat Washer, 5/16
12	366693	2	Bearing	41	444718	6	Locknut, 5/16-18 Center
13	445790	1	Nut, 1-14 Nylock Hex	42	361451	1	Washer (L.H. Side Only)
14	132658	1	Seal Housing (Includes 14A and 14B)	43	164056	2	Brake Band
14A	365753	1	Seal	44	164063	1	Brake Mounting Bracket
14B	471214	1	Grease Fitting	45	446130	4	Lockwasher, 1/4 Heavy
15	446136	9	Lockwasher, 5/16 Heavy	46	400108	2	Screw, 1/4-20 x 3/4" Hex Head
16	400188	2	Screw, 5/16-18 x 1" Hex Head	47	343004	3	Screw, 5/16-18 x 1" Socket Head
17	220318	1	Bearing Housing	48	366737	2	Spacer
18	366697	1	Spacer	49	132663	1	Brake Mounting Bracket
19	164057	1	Seal Cover (Includes 19A and 19B)	50	434032	2	Screw, 5/16-18 x 1-3/4" Socket Head
19A	366702	1	Grease Seal	51	415513	2	Set Screw, 1/4-20 x 1/2"
19B	471214	1	Grease Fitting	52	366742	2	Brake Band Pin
20	366696	1	Spacer				

- Used On 518 Only
- Used On 522 and 522T Only
- ▲ Used On 526 Only

ILLUSTRATION 6

DIFFERENTIAL, ROLLERS AND WHEELS



JACOBSEN **TEXTRON**

Jacobsen Division of Textron Inc.